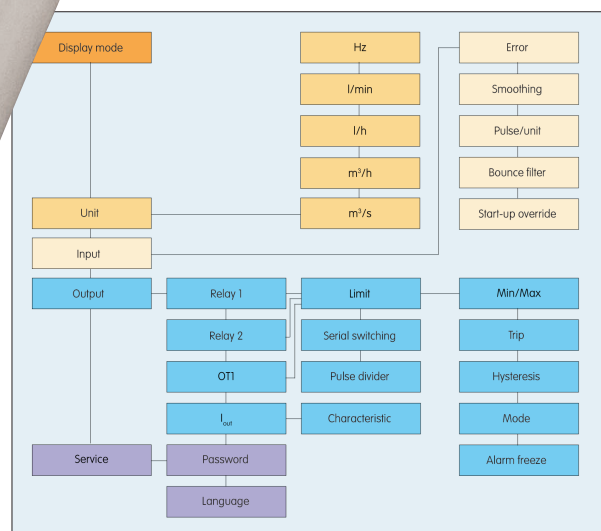
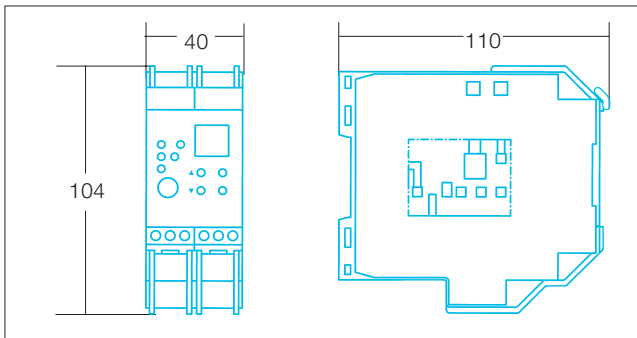


T 510 Frequency converter

Various signal transmission for flowrate measuring



- Frequency converter FIU UFC
- Track installation according to DIN 50022
- Key-pad programmable
- LC display
- Analog output and switch output



Mains

Connection		clutch 23 +, 24 -
Power	U_e	20 ... 90 V DC 48 ... 253 V AC
Power loss		2 W / 2.5 VA
Power drain		2.2 W / 3 VA
Galvanical separation		all inputs / outputs
Rated insulation voltage		253 V _{eff} all inputs / outputs

Outputs

Connection		I clutch 10, 11, 12 II clutch 16, 17, 18 III clutch 19 +, 20 - IV clutch 8 +, 7 -
Output I and II		signal, relays
Contact load		250 V AC / 2 A / $\cos \phi = 0.7$ 40 V DC / 2 A
Lifetime		5×10^7 Schaltspiele
Anzugs- / Abfallverzug		approx. 20 ms / approx. 20 ms
Output III		electronics, passive
Signal level	I-signal 0-signal	(L+) - 2.5 V (50 mA) closed exit Rest current $\leq 10 \mu\text{A}$
Voltage	U_m	40 V
Output IV		analogue
Current band		0 ... 20 mA / 4 ... 20 mA
open-circuit voltage		24 V DC
Burden		650 ohm
Error message	up down	$I = 3.6 \text{ mA}$ $I = 21 \text{ mA}$
acc. NAMUR		NE 43

Inputs

Connection	two wire sensor three wire sensor start-up override	clutch 1 +, 3 - clutch 1+, 2 -, 3 (signal) clutch 13 +, 14 -
Input I		sensor
Input resistor		1.2 kohm
Input pulse	length / pause	$> 50 \mu\text{s}$ / $> 50 \mu\text{s}$
Voltage		13 V DC
Open-circuit voltage		13 V DC
Current		$< 30 \text{ mA}$
Tamper	breakage short circuit	$I < 0.15 \text{ mA}$ $I > 6.5 \text{ mA}$
Input II		
Start-up override	adjustable	1, 2, 3 ... 1 000 s
Open-circuit voltage		18 V DC
Short circuit current		5 mA
Activ		$I > 4 \text{ mA}$ ($> 100 \text{ ms}$)
Passive		$I < 1.5 \text{ mA}$

Characteristics of transmission

Measuring range	f_n	0,001 Hz ... 12 kHz
Measuring accuracy		$< 20 \mu\text{A} + 2 \% \text{ v MW}$

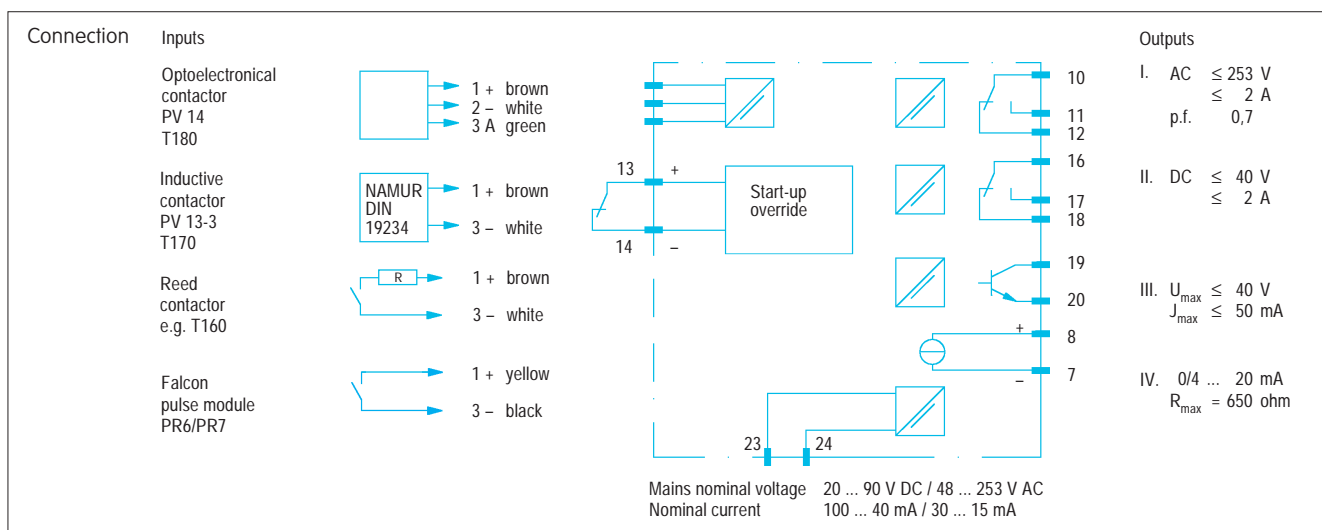
Environmental requirements

Operating temperature	- 20 ... + 60 °C 253 ... 333 K
-----------------------	-----------------------------------

Ordering number

Frequency current converter
Type FIU UFC-1 D
Housing for track installation
acc. to DIN 50022

0666629



ELSTER Messtechnik GmbH

Otto-Hahn-Strasse 25
68623 Lampertheim
Germany

T +49 (0) 62 06 933 0
F +49 (0) 6206 933 100
E messtechnik@de.elster.com
www.elstermesstechnik.com

T510_D_14.11e / 01.08
Changes without notice

