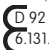
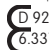


S 100

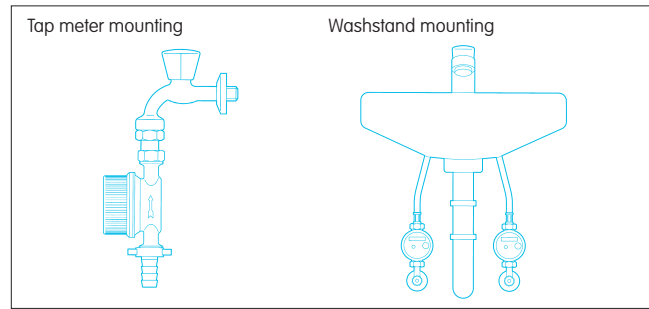
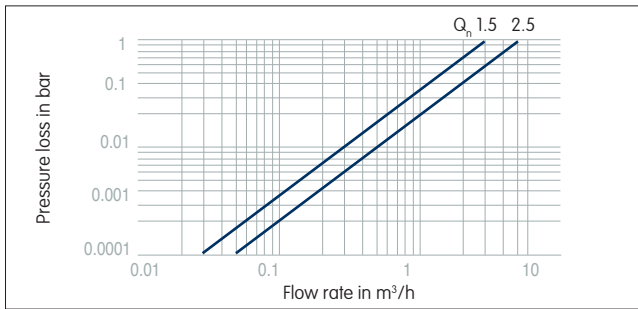
Single-jet meter PICOFLUX

For standard installations



Approval	Approval
Cold water up to 30 °C	Hot water up to 90 °C
 6.131.92	 6.331.31

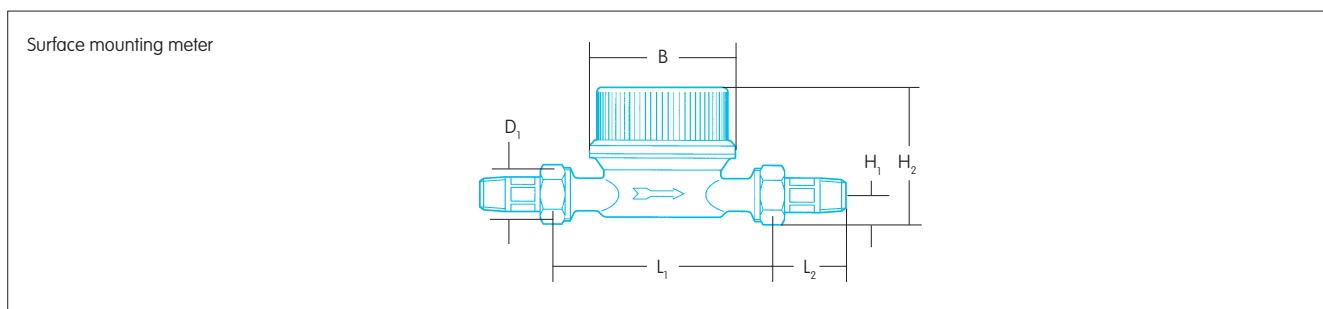
- Single-jet meter dry dial EV
- Nominal flow rate Q_n 1.5 and 2.5
- Cold water up to 30 °C, hot water up to 90 °C
- Universal installation (H/V)



Single-jet meter EV		1.5	1.5	1.5	1.5	2.5
Meter size / Nominal flow rate	Q_n m³/h	1.5	1.5	1.5	1.5	2.5
Nominal size	DN mm	15	15	15	20	20
	DN inches	1/2	1/2	1/2	3/4	3/4
Ordering number	Initial certification class	A	B	R	B	B
EV	T_{max} 30 °C	1141453	1178462	R	0632449	1178322
	T_{max} 90 °C	1161527	1199249	R	R	1178330
D_1 Meter connection thread	ISO 228/1 inches	G 3/4 B	G 3/4 B	G 3/4 B	G 1 B	G 1 B
B Width	mm	70	70	70	70	70
L_1 Length	without connection mm	80	110	130	130	130
L_2 Connector length	mm	40	40	40	50	50
H_1 Centerline height	mm	17	17	17	21	21
H_2 Overall height	mm	73	69	69	72	72
Weight	kg	0.40	0.45	0.53	0.55	0.55
Performance characteristics						
Horizontal/riser installation						
Maximum flow rate	Q_{max} m³/h	3	3	3	3	5
Transitional flow rate	Q_1 l/h	150	120	120	120	120
Minimum flow rate	Q_{min} l/h	60	30	30	30	30
Continuous load	l/h	1 500	1 500	1 500	1 500	2 500
Temperature	T_{max} °C	30 / 90	30 / 90	30 / 90	30 / 90	30 / 90
Pressure rating	PN	16	16	16	16	16
Flow capacity	at 1 bar pressure loss m³/h	3.11	3.08	3.05	3.08	5.1

R: on request

Accessories	Dimensions/inches	Ordering number
Tap meter mounting	Thread- and house connexion G 3/4	0160583
Washstand mounting	Connexion angle valve R 3/8 with nut G 3/4	0127142
	Connexion copper pipe 10 mm R 3/8 x 10 - G 3/4	0127135
	Flexible metal tube R 3/8 x 10 - G 3/4	0159269



ELSTER Messtechnik GmbH
Otto-Hahn-Strasse 25
68623 Lampertheim, Germany

T +49 (0) 62 06 933 0
F +49 (0) 62 06 933 100
E messtechnik@de.elster.com
www.elstermesstechnik.com

S100_D_02.05e / 11.10
Changes without notice and
falcities excepted

