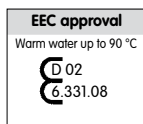


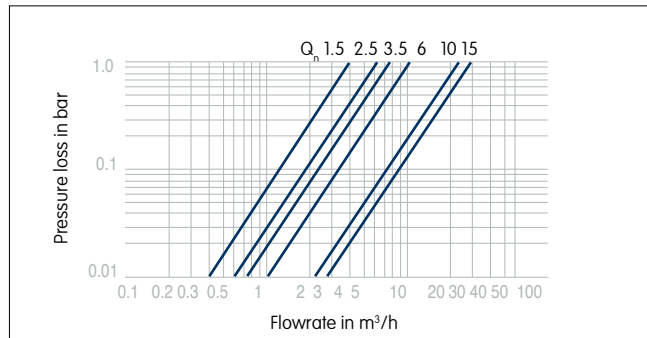
# M 190 Multi-jet meter

Dry-dial meter for warm water



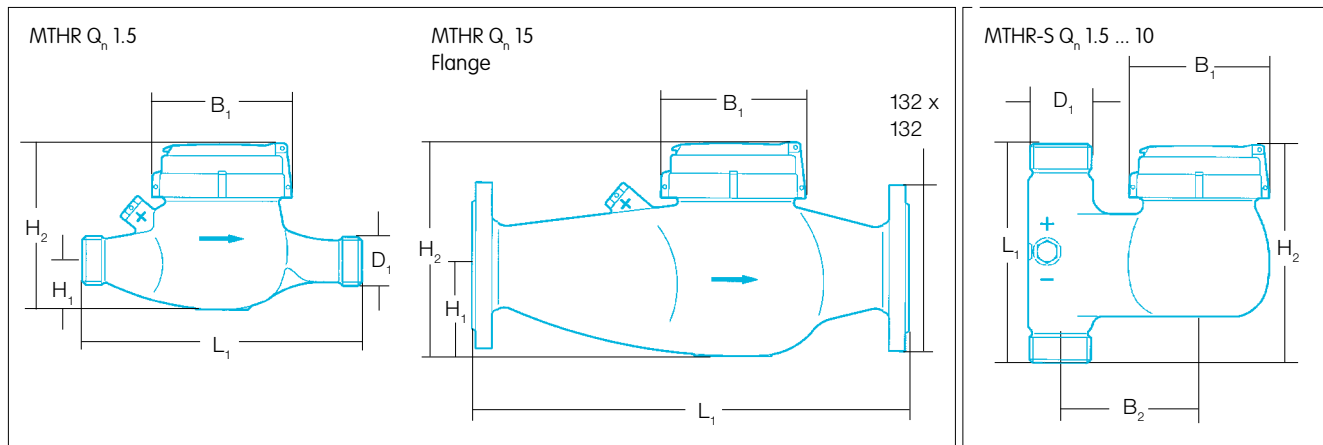
- Multi-jet dry-dial meter for warm water
- Nominal flowrate  $Q_n$  1.5 to 15 m<sup>3</sup>/h
- EEC approval metrological Class B·H
- ELSTER conText<sup>®</sup> inscription system





<b>Multi-jet meter M190</b>		<b>MTHR</b>							<b>MTHR-S</b>			
Meter size / Nominal flowrate	$Q_n$ m <sup>3</sup> /h	1.5	2.5	3.5	6	10	15	15	1.5	2.5	6	10
Nominal size	DN mm	15	20	25	25	40	50	50	20	20	25	40
	DN inches	1/2	3/4	1	1	1 1/2	2	2	3/4	3/4	1	1 1/2
<b>Ordering number</b>		<b>0770574</b>	<b>0770582</b>	<b>0770590</b>	<b>0794287</b>	<b>0770620</b>	<b>0770647</b>	<b>0794295</b>	<b>0794309</b>	<b>0794317</b>	<b>0794325</b>	<b>0794333</b>
Initial calibration class B-H												
<b>Dimensions</b>												
D <sub>1</sub> Meter conn. thread	ISO 228/1 inches	G 3/4 B	G 1 B	G 1 1/4 B	G 1 1/4 B	G 2 B	G 2 1/2 B	Flange	G 1 B	G 1 B	G 1 1/4 B	G 2 B
Conn. pipe thread	ISO 7/1 inches	R 1/2	R 3/4	R 1	R 1	R 1 1/2	R 2	—	R 3/4	R 3/4	R 1	R 1 1/2
L <sub>1</sub> Meter length	mm	165	190	260	260	300	270	270	105	105	150	200
Connector length	mm	40	50	60	60	70	60	—	50	50	60	70
B <sub>1</sub> Width	mm	100	100	100	100	100	100	100	100	100	100	100
B <sub>2</sub> Distance Pipe axis to meter axis	mm	—	—	—	—	—	—	—	80	80	94	120
H <sub>1</sub> Centerline height	mm	31	31	43	43	46	46	68	—	—	—	—
H <sub>2</sub> Overall height	mm	115	115	130	130	153	153	160	135	135	151	195
Weight	kg	1.5	1.6	2.5	2.5	3.7	4.5	8.5	1.8	1.8	2.6	5.5
<b>Performance characteristics</b>												
Maximum flow rate	$Q_{max}$ m <sup>3</sup> /h	3	5	7	12	20	30	30	3	5	12	20
Transitional flow rate	$Q_{1}^{**}$ l/h	120	200	200	480	800	1 500	1 500	120	200	480	800
Minimum flow rate	$Q_{min}^{**}$ l/h	25	35	35	80	150	200	200	25	35	80	150
Starting flow	l/h	10	15	15	50	50	100	100	10	15	30	50
Continuous load	approx. 1.6 x $Q_n$ l/h	2 500	4 000	5 600	10 000	16 000	25 000	25 000	2 500	4 000	10 000	16 000
Temperature	$T_{max}$ °C	90	90	90	90	90	90	90	90	90	90	90
Pressure rating	PN bar	16	16	16	16	16	16	16	16	16	16	16
Flow capacity at 1 bar pressure loss	mm <sup>3</sup> /h 4.4	6.7	7.2	12.8	22	32	32	4.0	6.7	12.8	22	32

\*\* typical performance characteristics, exceeds the demands of the metrological class B



Ordering numbers for meters with pulse preparation (type -KN), for later assembly of Reed Disc, on request

ELSTER Messtechnik GmbH  
Otto-Hahn-Strasse 25  
68623 Lampertheim  
Germany

T +49 (0) 62 06 933 0  
F +49 (0) 62 06 933 100  
E messtechnik@de.elster.com  
www.elstermesstechnik.com

D M190\_01.05e / 07.08  
Changes without notice



#### Reed Disc with tamper detection

Type Reedswitch potted, protection IP 68  
Contact load max. 24 V DC, 50 mA  
Resistance 100 Ohm  
Cable 3 x 0.14 mm<sup>2</sup> Ø 3.3 mm  
Pulse contact brown – white  
Tamper contact green – white  
Cable length 3 m

**Ordering number**  
100 litres/1 pulse 0000998  
1000 litres/1 pulse 0000999

