

# M 130 Multi-Jet Water Meter MODULMETER



- ✘ Meter type MON.
- ✘ Meter size  $Q_n$  1.5 und 2.5.
- ✘ Wet-dial type.
- ✘ Calibrated and certified metering insert for quick replacement.
- ✘ Cold water up to 40 °C.

# Multi-Jet Water Meter MODULMETER MO-N.

## Metering technology of pathbreaking excellence

### To each his own

If it's worked for years in apartment water metering, it's only right and proper to use it for house water supply systems as well.

The MODULMETER MO-N proves that breaking new ground is well worthwhile. Gone are the times when statutory recalibration of measuring point maintenance meant replacing the entire meter.

Maintenance work has now been sensibly reduced. On site, simply screw open the installed meter, insert the new calibrated metering insert, and close up the meter again. Saving you time. And saving you money.

### Up-to-the-future

The MODULMETER MO-N is an advanced design that need not fear any comparison with conventional meters. The sturdy housing is secured in tried-and-tested fashion with a generously dimensioned locking ring.

### Reassuringly sensible

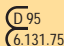
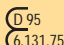
Eco-compatible affordability in a single unit. Service support is expressed in deeds, not words: when the metering inserts have come to the end of their useful life, then of course we take them back. And any replaced meters as well, for appropriate recycling.

If you favour the future over tradition, then the MODULMETER MO-N is the right choice.

MON-K mit Kontaktgeber



### Multi-jet water meter Wet-dial type

- Cold water up to 40 °C.
- MO-N:  installed horizontally. Approval Class C, horizontal.
- MO-N-S:  Installed in risers pipes. Approval Class C, horizontal, (riser pipe housing).
- Display capacity 99 999 m<sup>3</sup>.
- Minimum scale value 0.05 l.

Meter size / nominal flow rate $Q_n$ m <sup>3</sup> /h	2.5
Reed-Contactor in preparation	Puls sequence litres/pulse
	x 100/1
	x 1 000/1
	x can be calibrated

*Typical*

### MODULMETER MO-N

#### Different

- ✘ Direct, durable threaded union between the connection fitting and the pipe.
- ✘ Calibrated, independent metering insert for quick replacement when the statutory recalibration deadline comes round.
- ✘ Guarantees a waterproof connection between the connection fitting and the metering insert.

#### Maintenance-friendly

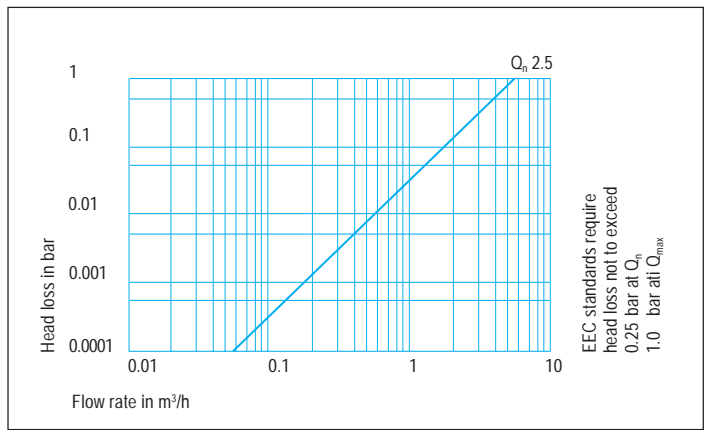
- ✘ Practical installation wrench.
- ✘ Space-saving storage.
- ✘ Low weight and transport volume.

#### Modular construction

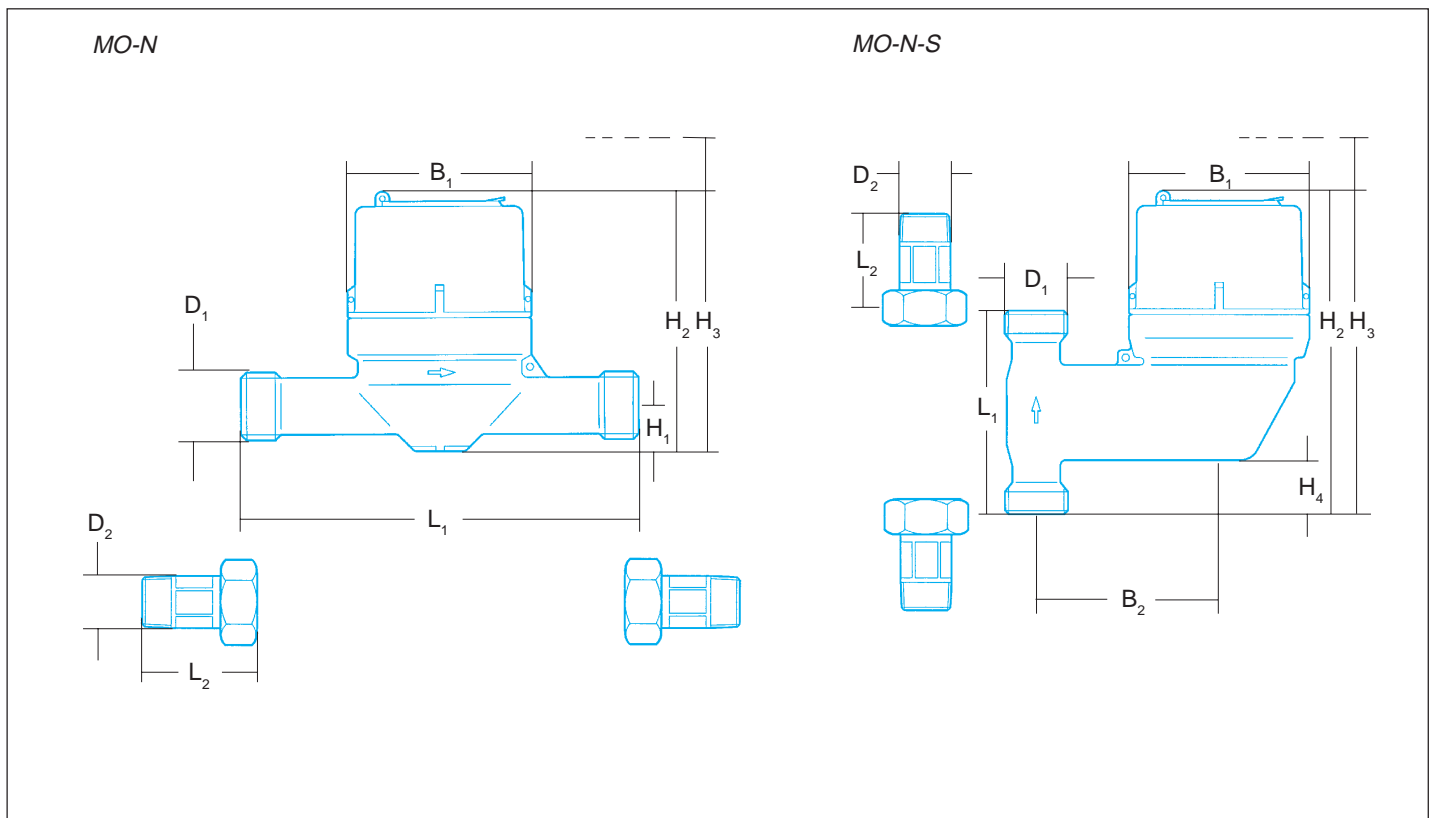
- ✘ Standard meters for horizontal installation.
- ✘ Riser pipe meters for vertical installation.
- ✘ Metering insert for direct readings, with lid.
- ✘ Options: metering insert for data transfer, with contactor under protective cover. Non-return valve.

#### Metering accuracy

- ✘ Conforms comfortably to ISO 4064 for cold water.



<b>Multi-jet Meter</b>		<b>M 130</b>	<b>MON</b>		<b>MON-S</b>	
Meter size / nominal flow rate	$Q_n$	m <sup>3</sup> /h	1.5	2.5	1.5	2.5
Nominal size	DN	mm	15	20	20	20
	DN	inches	1/2	3/4	3/4	3/4
$D_1$	Meter connection thread	ISO 228/1	G 3/4 B	G 1 B	G 1 B	G 1 B
$D_2$	Connection pipe thread	ISO 7/1	R 1/2	R 3/4	R 3/4	R 3/4
$L_1$	Meter length	mm	165	190	105	105
$L_2$	Connector length	mm	40	50	50	50
$B_1$	Width	mm	93	93	93	93
$B_2$	Clearance	Pipe axis to meter axis	—	—	95	95
$H_1$	Centerline height	mm	23	23	—	—
$H_2$	Overall height	mm	127	127	160	160
$H_3$	Height	Replacement of measuring insert	200	200	230	230
$H_4$	Distance to meter bottom	mm	—	—	28	28
Weight		kg	1,5	1,5	2	2
<b>Class</b>	horizontal installation / riser installation		B	C	B	C
Maximum flow rate	$Q_{max}$	m <sup>3</sup> /h	3	5	3	5
Transitional flow rate	$Q_1$	l/h	120	37.5	120	37.5
Minimum flow rate	$Q_{min}$	l/h	30	25	30	25
— required	$Q_{min}$	l/h	30	25	30	25
— 1st	$Q_{min}$	l/h	20	20	20	20
Continuous load		m <sup>3</sup> /h	1.5	2.5	1.5	2.5
Temperature	$T_{max}$	°C	40	40	40	40
Pressure rating		PN	16	16	16	16
Flow capacity	at 1 bar pressure loss					
— with non-return valve		m <sup>3</sup> /h	4.8	5.1	4.8	5.1
— without non-return valve		m <sup>3</sup> /h	5.3	5.6	5.3	5.6



## Ordering details

Description	Order No.	
Meter, complete certified	Class B	Class C
Housing, epoxy resin-coated		
MODULMETER MO-N		
— Without non-return valve	1119016	1172847
— With non-return valve	1119008	1172855
MODULMETER MO-N-S		
— Without non-return valve	1134171	1172863
— With non-return valve	1134139	1172871
Metering insert certified	1120324	1172839
Non-return valve		1117439
Installation wrench		1111899
Flushing cap, plastic		1119466
Head ring, natural brass		1127299
Housing, epoxy resin-coated		
MODULMETER MO-N		1117234
MODULMETER MO-N-S		1135143

## Metering technology you can count on

Multijet meters	OPTIMA MNR / MPR MODULMETER MO-N / MO-D MV-MAM MT-...
Semi-positive displacement meters	PSM / KVM / MSM
Multijet meters Singlejet meters	MODULMETER MO-C / MO-E / MO-I PICOFLUX EV
Woltmann meters Combination water meters	HELIX WP / WS / WB WPV
Standpipe meters Irrigation meters	STM-E / STM-N / STW WP-T-D / WP-T-M
Pulse meters	MNR-K / MON-K / WP-K / WS-K
Batching meters Batch control meters	...-VA / ...-W / ...-B UDSG
Heat meters	PICOTHERM
Electromagnetic flow meters Industrial meters	MAGMASTER MTH-I / WPH-I
Data logger	UNIMOS
Register mechanisms	TDD / MULTI-PULS / MULTI-PULS-TROPIC / MULTI-BUS
Data transmission	IV / FIU
Meter testing equipment	ENPH / E-JUST / QUICKTEST
Accessories	
Spare parts	
Maintenance	
Instruction / Seminars	



### ELSTER Messtechnik GmbH

Otto-Hahn-Strasse 25  
D-68623 Lampertheim  
Phone +49 (0) 62 06 / 9 33-0  
Telefax +49 (0) 62 06 / 9 33-100  
messtechnik@de.elster.com  
www.elstermesstechnik.com

L 01.07 e / 07.04  
Changes may occur  
without notice

