

## Uninstall board (FCUN-1)

F4 can be equipped with option boards to add extra functionality to the calculator. When these option boards shall be removed permanently, temporarily or when the board shall be reconfigured the uninstallation board must be used to remove all option board information from the F4's memory.

## Uninstall

To ensure that the F4 does not lose any values it is important to **short-circuit** the "Save data" button using the "short-circuit key", see also fig 2.

**Important! Power to calculator, from mains or battery must be disconnected when inserting the board. The flow sensor must also be disconnected during this operation.**

The uninstall board can be put in slot A (no powered calculator). When power is turned back on, the board will carry out its instructions. When the uninstall procedure is done a LED, LD3 on the uninstall board will be lid stead. Follow this procedure:

1. Save data, short circuit connection "Save data"
2. Power off, 4-pole connector "K2" and "K3"
3. Disconnect flow sensor by removing at least one cable connected to calculator terminal
4. Remove all option boards installed in calculator.
5. Put the "uninstall option board" in slot A
6. Turn Power on; reconnect the 4-wired cable "K3"
7. Ensure LD1 is lid on uninstall board
8. Power off; remove 4-pole connector "K3"
9. Remove uninstall board
10. Successful removal
11. Reinstall option boards, if any. Please see option board documentation for more information. Repeat installation until all boards are installed.  
**Important:** Only one option board may be installed at a time
12. Reconnect Flow sensor and Power on

## Card Slot

The uninstall board may be used in **slot A**.

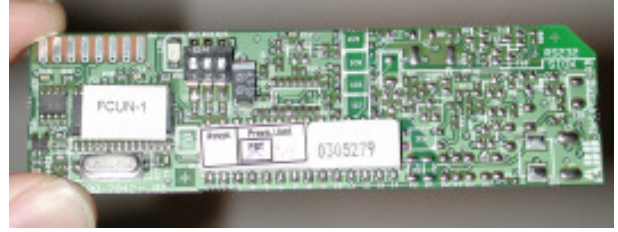


Fig 1, Uninstall board component side (FCUN-1)

## Uninstall procedure

The uninstall board removes all option board data in F4's memory. The board clears the calculator data and executes checks:

1. Check meter Plug & Play version
2. Clears Allocation Table
3. Removes all option board M-Bus telegrams
4. Clears Plug & Play status information

## Errors

When the calculator is not Plug & Play compatible and/or the uninstall procedure is not executed. The uninstall board will indicate this:

1. No light from LD3
2. LD3 flashes

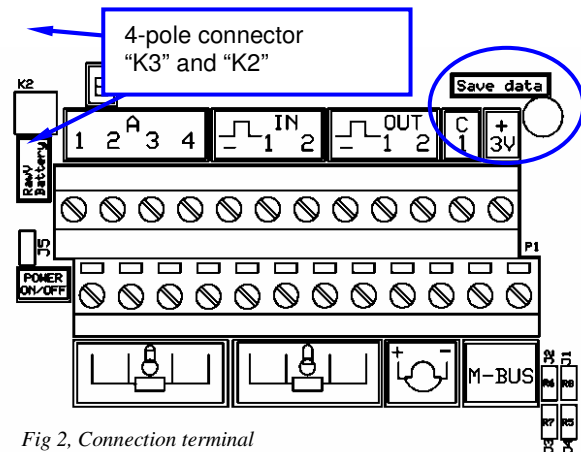


Fig 2, Connection terminal

## Why uninstall board?

All option boards write data into the F4's memory. If the option board is not properly removed from F4's memory, the calculator will not recognize the removal of the board. In worst case the board will behave strangely, i.e. slower communication speed. To avoid these effects always uninstall using the uninstall board, when removing or re-configuring option boards installed in calculator.

## When to use the uninstall board?

- When reconfiguring one or several option boards already installed in F4.
- When removing one or several option boards already installed in F4.

## Installation / reinstallation of option boards

Install one option board at a time. When installing several option boards (at the same time), the option boards installation process will interfere with one another and the F4 will not accept any installation and the F4's memory can be corrupted. When **installing several option boards** at the same time by mistake the uninstall board must be used and the uninstall process must be run.

**Important!** Install one board at a time.

## Dipswitches

Changing the dipswitches on the uninstallation option board has no effect on the board performance or the uninstallation process.

**Note:** Never change dipswitches settings on the option board during power on.

## Ordering

FCUN-1                      Uninstall board